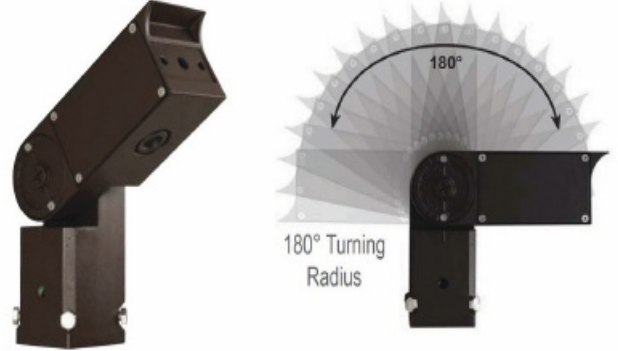


OUTDOOR ACCESSORIES

Multi-Purpose LED Area Light

SLIP FITTER MOUNT

- Die-cast aluminum with durable dark bronze powder coat finish.
- 180 Degree Turning Radius



ARM MOUNT

- Die-cast aluminum with durable dark bronze powder coat finish



ORDERING INFORMATION

SERIES	OPTIONS
PMPAL-SF-80/300 PMPAL-A-80/300	SF-Slip Fitter Mount AM-Arm Mount

