

PAL70Q

EasyLED 23" Square Shoebox

HOUSING

- Die Cast Aluminum Housing & Hinged Front Frame, 1/2" Coin Plugs for Conduit & Photocell, Textured Architectural Bronze Powdercoat Finish Over a Chromate Conversion Coating

LISTINGS AND RATINGS

- CSA: Listed for Wet Locations, ANSI/UL 1598, 8750
- IP55 Sealed LED Compartment.



LENS

- Tempered Clear Flat Glass Lens

LumaFit LED

- Array Lumens: 9,765 (C Optic); 9,409 (F Optic)
- Delivered Lumens: 7,213 (C, Clear)
- CRI: 72 (C Optic), 81 (F Optic);
- CCT: 5000K
- Rated Life: 50,000 Hours
- Aluminum Boards

WATTAGE

- Array: 87.6w, System: 91w

DRIVER

- Electronic Driver, 120-277V, 50/60Hz or 347-480V, 50/60Hz; Less Than 20% THD and PF>0.90. MStandard Internal Surge Protection 6kV. 0-10V Dimming Standard for a Dimming Range of 100% to 10%; Dimming Source Current is 150 Microamps.

OPTIONS

- Surge Protection



The PSC25C3 Dusk-to-Dawn Utility Light is available in an energy efficient 40 watt size with an optional slip-fit easy mounting galvanized pipe bracket and an optical distribution designed to replace HID lighting systems from 100w to 175w MH or HPS. Typical area lighting applications include retail centers, industrial parks, schools and universities, public transit and airports, office buildings and medical facilities. Mounting heights of 10 to 20 feet can be used based on light level and uniformity requirements.

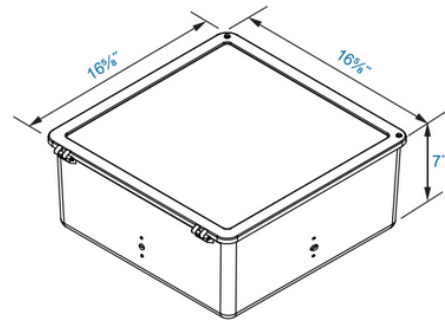
MOUNTING OPTIONS

- Mount with Extruded Mounting Arms

WARRANTY

- 5-Year Warranty for -40°C to +40°C Environment.

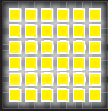
DIMENSIONS



ORDERING INFORMATION

Example: PAL70QF1X88U5KCZEM6RSP

MODEL	LED MFR	OPTICS	# ARRAYS	WATTAGE	BALLAST	CCT	LENS	COLOR	MOUNTING	OPTIONS
PAL70Q	Q=QSSI	C=Type III, F=Type V	1X=One	88=88w	U=120-277V H=347-480V	5K=5000K	C=Tempered Clear Flat Glass Lens	Z=Bronze	BR=Two-Piece Swivel Bracket, SF=Slipfitter EM6"=6" Aluminum Extruded Mounting Arm, EM10"=10" Aluminum Extruded Mounting Arm, EM12"=12" Aluminum Extruded Mounting Arm AM=Direct Pole Mounting Arm, Fits 4" to 6" Round Poles. *Add R for Round Pole Mounting, Fits 4" & 5" Diameter Poles.	R7=7-Pin ANSI C136.41-2013 Twist Lock Receptacle SF=Single Fuse, DF=Double Fuse SP=Surge Protection P40=P18140 110-120VAC Instant P42=P18142 105-287VAC Instant P50=P18150 120VAC Time Delay P52=P18152 277VAC Time Delay



PROlite LED Lighting™

A Division of Emergensee® Lighting, Inc.

TYPE: _____ DATE: _____

JOB NAME: _____

CONTRACTOR: _____

CATALOG NO: _____

NOTES: _____

ACCESSORIES

Catalog #	Description
AL73GS	Aluminum House Side Shield, Bronze Powdercoat Finish, Includes Hardware.
FL73BR	Two-Piece Swivel Bracket, Stamped, Bronze Finish
FL73SFX	External Mount Slipfitter, Die Cast, Hardware & Angle Indicator Coin Plug
FLAM	Heavy Duty Adjustable Direct Mount Pole Arm, Bronze Finish, Angle Indicators & Hardware. Fits Square and 4" to 6" Round Poles.
FLEM6*	6" Aluminum Extruded Mounting Arm, Bronze, Gasket & Hardware. Fits Square Poles.
FLEM10*	10" Aluminum Extruded Mounting Arm, Bronze, Gasket & Hardware. Fits Square Poles.
FLEM12*	12" Aluminum Extruded Mounting Arm, Bronze, Gasket & Hardware. Fits Square Poles.
PTASUNV	Square Pole Tenon Adaptor Allows Installation of up to 4 Fixtures, Fits 2 3/4" Diameter Vertical Tenon, Bronze Finish. Use FLEMs.
FLEMWM	Heavy-duty Steel Wall Bracket for FLEM Mounting Arms, Bronze Powdercoat Finish.
P18130	480VAC Twist Lock Photocell Receptacle
P18130R7	7-Pin Twist Lock Photocell Receptacle ANSI C136.41-2013 with Integrated Controls for LED, 480 VAC
P18131	Twist Lock Non-Shorting (Open) Cap Disconnects Service to Fixture for Temporary or Permanent Disabling (Fixture Always Off). IP65, 480V Maximum.
P18132	Twist Lock Shorting Cap Provides Fixed Service to Fixture (Fixture Always on). IP65, Rated Load 7200w Tungsten.
P18140	110-120VAC Instant Twist Lock
P18142	105-287VAC Instant Twist Lock
P18150	120VAC Time Delay Twist Lock
P18152	277VAC Time Delay Twist Lock
3EBL1202774500	Provides 90 Minutes of Backup Power.

*Add R for Round Pole Mounting, Fits 4" & 5" Diameter Poles.



AL73GS

FL73BR

FL73SFX



FLAM

FLEM6

FLEM10



FLEM12

PTASUNV

FLEMWM



P18130

P18130R7

P18131



P18132

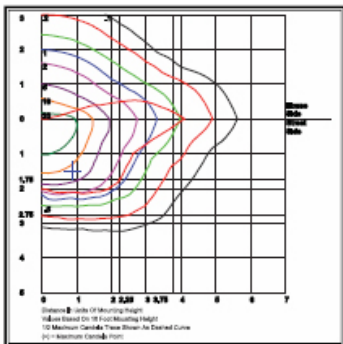
P18140,
P18142

P18150
P18152

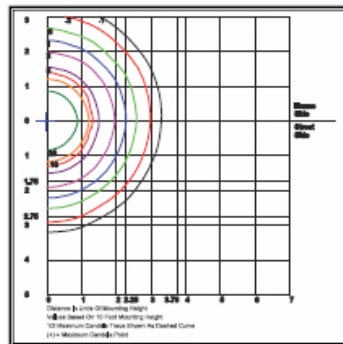


3EBL1202774500

PHOTOMETRIC DATA



AL90QC1X186U5KC



AL90QF1X186U5KC