



PBRK-LED56-ECO

5" / 6" Recessed LED Retrofit Module

ILLUMINATION

- Long life LEDs with up to 50,000 hours at 70% lumen maintenance
- Choice of 2700K (±200), 3000K (±200), 4000K (±200) or 5000K color temperature with 80 CRI
- Produces 900-1060 lumens output from luminaire
- Uses 1.2W high power, high quality LEDs

ELECTRICAL

- Dimmable to 10% with most dimmers
- Save 75% compared to incandescent sources
- High efficiency driver with a power factor ≥ .90 with input power of 120V, 50-60Hz
- Built-in LED Driver
- Power consumption of 12 watts
- Operation temperature of 0°C - 40°C (32°F - 104°F)

MOUNTING OPTIONS

- Easy installation with adjustable torsion spring
- Torsion spring is designed to fit into 5" or 6" housing automatically without changing mounting tab
- No tools required for installation

WARRANTY & LISTINGS

- Tested in accordance with IESNA LM79 & LM80
- ETL Listed for wet location
- Energy Star qualified
- Passes FCC Class A and Class B
- Meets State of California Title 24 requirements
- Five year warranty on all electronics and housing

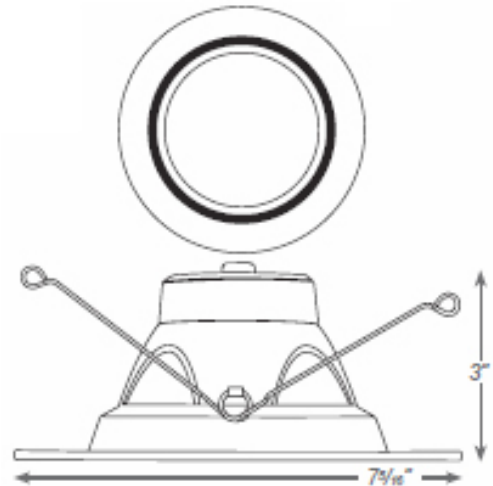


5" & 6" Recessed downlight retrofit solution with integrated LED power supply and thermal management system combined in a single compact unit designed to fit most standard 5" & 6" recessed cans.

HOUSING

- Compatible with most 5" and 6" housings
- Compatible with insulated, non-insulated, and air-tight ceilings
- Durable thermoplastic construction
- E26 medium screw-base Edison connector provides easy retrofit of incandescent housings

DIMENSIONS



ORDERING INFORMATION

MODEL	LAMP LUMENS	KELVIN RATING	OPTIONS
PBRK-LED56-ECO	900 960 1000 1060	2.7K = 2700° K 3K = 3000° K 4K = 4000° K 5K = 5000° K	BW = White Baffle