

PROlite LED Lighting™

A Division of Emergensee® Lighting, Inc.

TYPE: _____ DATE: _____

JOB NAME: _____

CONTRACTOR: _____

CATALOG NO: _____

NOTES: _____

PLEDPNL2X2-40W

40 Watt 2x2 Ultra-Thin Edge-Lit LED Panel

FEATURES

- Available in 3000k (warm white), 3500k (warm/neutral white) 4000k (neutral white) & 5000k (cool white) color temperatures.*
- Long-life LEDs provide 56,000 hours of operation with at least 70% of initial lumen output (L70)**
- Provides 4,078 luminaire lumens (102 lumens per watt, LPW) at 3000k, 4,134 luminaire lumens (103 LPW) at 4000k, and 4,480 luminaire lumens (112 LPW) at 5000k*
- Uniform illumination with no visible LED pixilation
- Universal 120-277 AC voltage (50-60Hz) is standard
- 0-10vdc dimming capability is standard
- Power factor > 0.90
- Total harmonic distortion < 20%
- Color rendering index > 80
- Aluminum housing
- PMMA (polymethyl methacrylate) acrylic lens with light guide panels for optimal light distribution and efficiency.
- Suitable for ambient temperatures from -25°C to 45°C (-13°F to 113°F).
- Easy installation in new construction or retrofit.
- Standard earthquake clips provide secure installation in grid ceilings.
- Standard mounting options include recessed mounting in grid ceilings, or suspended mounting using attached hanging brackets. Optional surface mounting requires a surface mounting kit (option SMK)

*Contact factory for other color temperatures and lumen packages

**L₇₀ hours are IES TM-21-11 calculated hours

WARRANTY & LISTINGS

- ETL listed to applicable U.L. standards for damp locations and insulated ceilings (IC-rated). Suitable for ambient temperatures from -25°C to 45°C (-13°F to 113°F).
- DLC standard approved.
- Complies with RoHS (Restriction on Hazardous Substances) requirements.
- Complies with FCC Part 15
- 5-year warranty of all electronics and housing

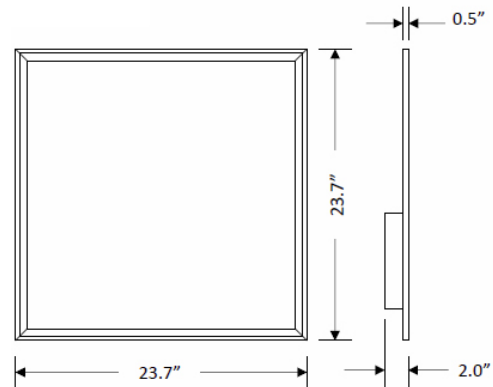


The ultra-thin, edge-lit LED panel (PLEDPNL) series is designed to deliver general ambient lighting in a variety of indoor settings, including schools, offices, hospitals and stores, and is the perfect choice for both new construction and retrofits. This high-efficacy luminaire provides long-life and uniform illumination, as well as standard 0-10 vdc dimming capability.

MOUNTING OPTIONS

- Optional surface mounting kit provides for installation on plaster or other hard ceilings
- Optional cable mounting kits provide additional security, as well as suspended mounting.

DIMENSIONS

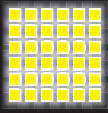


ORDERING INFORMATION: SAMPLE: PLEDPNL22-40W-3K-SMK22 + LEDPNL-EMBRKT

MODEL	LUMINAIRE WATTS	LUMINAIRE LUMENS	LUMENS/WATT	COLOR TEMP	OPTIONS
PLEDPNL2X2-40W-3K	40	4,078	102	3K = 3000k	SMK22 = Surface Mounting Kit (2x2) FLANGEKIT22-ET = Flange Mounting Kit (2x2) LEDPNL-CMK = Cable Mounting Kit, Quantity 6, 1 meter long, 1/16" diameter, with spring clips & adjustable, locking ceiling attachment LEDPNL-EMBRKT = Bracket for emergency battery backup unit
PLEDPNL2X2-40W-35K	40	4,134	103	35K = 3500K	
PLEDPNL2X2-40W-4K	40	4,134	103	4K = 4000k	
PLEDPNL2X2-40W-4K	40	4,134	103	4K = 4000k	
PLEDPNL2X2-40W-5K	40	4,480	112	5K = 5000k	

215-512-8100 • Fax 267-288-5604
421 Bustleton Pike, Feasterville, PA 19053
www.proliteled.com

Specifications subject to change without prior notice.
© 2016, PROlite LED Lighting, Inc. ALL RIGHTS RESERVED



PROlite LED Lighting™

A Division of Emergensee® Lighting, Inc.

TYPE: _____ DATE: _____

JOB NAME: _____

CONTRACTOR: _____

CATALOG NO: _____

NOTES: _____

ELECTRICAL DATA

MODEL	COLOR TEMP	CRI ¹	LUMINAIRE LUMENS	LUMINAIRE WATTS	LUMENS/WATT	INPUT VOLTAGE	INPUT CURRENT (A)			POWER FACTOR	THD ²	L ₇₀ HOURS ³
							120V	240V	277V			
PLEDPNL2X2-40W-3K	3000k	> 80	4,078	40	102	120-277	0.33	0.17	0.14	> 90%	< 20%	56,000
PLEDPNL2X2-40W-35K	3500k	> 80	4,134	40	103	120-277	0.33	0.17	0.14	> 90%	< 20%	56,000
PLEDPNL2X2-40W-4K	4000k	> 80	4,134	40	103	120-277	0.33	0.17	0.14	> 90%	< 20%	56,000
PLEDPNL2X2-40W-5K	5000k	> 80	4,480	40	112	120-277	0.33	0.17	0.14	> 90%	< 20%	56,000

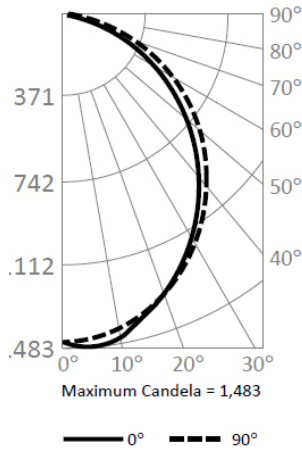
¹ Color rendering index

² Total harmonic distortion

³ L₇₀ refers to the number of hours at which lumen output declines to 70% of the initial level. L₇₀ hours are IES TM-21-11 calculated hours.

PHOTOMETRIC DATA

PNL2X2-40W-4K (4,134 Lumens)



Candlepower Summary

	0°	90°
0°	1,450	1,450
10°	1,414	1,405
20°	1,300	1,322
30°	1,137	1,187
40°	942	1,004
50°	724	783
60°	494	549
70°	266	311
80°	65	93
90°	0	0

Zonal Lumen Summary

Zone	Lumens	% Fixture
0° – 10°	35	0.9%
0° – 20°	311	7.5%
0° – 30°	823	19.9%
0° – 40°	1,500	36.3%
0° – 50°	2,247	54.3%
0° – 60°	2,962	71.6%
0° – 70°	3,552	85.9%
0° – 80°	3,951	95.6%
0° – 90°	4,134	100.0%
90° – 180°	0	0.0%
0° – 180°	4,134	100.0%

Cone of Light

