

PROlite LED Lighting™

A Division of Emergensee® Lighting, Inc.

TYPE: _____ DATE: _____

JOB NAME: _____

CONTRACTOR: _____

CATALOG NO: _____

NOTES: _____

PLEDPNL2X4-PRM-CP

Premium Performance 2x4 Ultra-Thin Edge-Lit LED Panel

FEATURES

- Available in 3000k (warm white), 3500k (warm/neutral white) 4000k (neutral white) & 5000k (cool white) color temperatures.*
- Long-life LEDs provide 199,000 hours of operation with at least 70% of initial lumen output (L70).**
- Provides 4,508 luminaire lumens (129 lumens per watt, LPW) at 3000k, 4,590 luminaire lumens (131 LPW) at 3500k; 4,672 luminaire lumens (133 LPW) at 4000k, and 4,836 luminaire lumens (138 LPW) at 5000k.*
- Uniform illumination with no visible LED pixilation.
- Universal 120-277 AC voltage (50-60Hz) is standard.
- 0-10vdc dimming capability is standard.
- Power factor > 0.90.
- Total harmonic distortion < 20%.
- Color rendering index > 80.
- Aluminum housing.
- Acrylic lens with light guide panels for optimal light distribution and efficiency.
- Easy installation in new construction or retrofit.
- Standard earthquake clips provide secure installation in grid ceilings.
- Standard mounting options include recessed mounting in grid ceilings, or suspended mounting using attached hanging brackets. For mounting in plaster or other hard ceiling, see Mounting Kits.

*Contact factory for other color temperatures and lumen packages

**L₇₀ hours are IES TM-21-11 calculated hours

WARRANTY & LISTINGS

- cULus for damp locations and insulated ceilings (IC-rated). Suitable for ambient temperatures from -20°C to 50°C (-4°F to 122°F).
- DLC premium approved.
- Flicker-free per IEEE1789-2015 (no observable adverse effects of flicker at 100% light output level).
- Complies with RoHS (Restriction on Hazardous Substances) requirements.
- Complies with FCC Part 15, class B.
- Complies with EN61000-4-5, surge immunity protection (1kV).
- 5-year warranty of all electronics and housing.

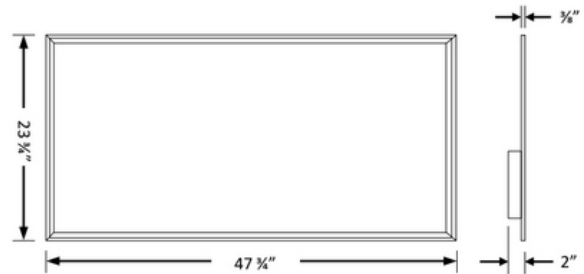


The premium-performance, ultra-thin, edge-lit LED panel (PLEDPNL2X4-PRM-CP) series offers industry-leading lumens per watt (LPW). This family of luminaires is designed to deliver general ambient lighting in a variety of indoor settings, including schools, offices, hospitals and stores, and is the perfect choice for both new construction and retrofits. This high-efficiency luminaire provides long-life and uniform illumination, as well as standard 0-10 vdc dimming capability.

MOUNTING OPTIONS

- Optional Surface Mount Kits (LEDSMKT-24) and Flange Mounting Kits (FLANGEKIT24-ET) provide for installation on plaster or other hard ceilings.
- Optional Cable Mounting Kits (LEDPNL-CMK) provide additional security

DIMENSIONS



Weight: 15.5 lbs.

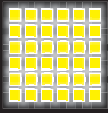
ORDERING INFORMATION:

Example: PLEDPNL2X4-35W-3KMV-PRM-CP + LEDSMKT-24 + LEDPNL-CMK + LEDPNL-EMBRKT

MODEL	LUMINAIRE WATTS	LUMINAIRE LUMENS	LUMENS/WATT	COLOR TEMP	OPTIONS
PLEDPNL2X4-35W-3KMV-PRM-CP	35	4,508	129	3KMV-PRM-CP = 3000k	SMK24 = Surface Mounting Kit (2x4)
PLEDPNL2X4-35W-35KMV-PRM-CP	35	4,590	131	35KMV-PRM-CP = 3500K	FLANGEKIT24-ET = Flange Mounting Kit (2x4)
PLEDPNL2X4-35W-4KMV-PRM-CP	35	4,672	133	4KMV-PRM-CP = 4000k	LEDPNL-CMK = Cable Mounting Kit, Quantity 6, 1 meter long, 1/16" diameter, with spring clips & adjustable, locking ceiling attachment
PLEDPNL2X4-35W-5KMV-PRM-CP	35	4,836	138	5KMV-PRM-CP = 5000k	LEDPNL-EMBRKT = Bracket for emergency battery

215-512-8100 • Fax 267-288-5604
421 Bustleton Pike, Feasterville, PA 19053
www.proliteled.com

Specifications subject to change without prior notice.
© 2016, PROlite LED Lighting, Inc. ALL RIGHTS RESERVED



ELECTRICAL DATA

MODEL	COLOR TEMP	CRI ¹	LUMINAIRE LUMENS	LUMINAIRE WATTS	LUMENS/WATT	INPUT VOLTAGE	INPUT CURRENT (A)			POWER FACTOR	THD ²	L ₇₀ HOURS ³
							120V	240V	277V			
PLEDPNL2X4-35W-3KMV-PRM-CP	3000k	> 80	4,508	35	129	120-277	0.29	0.15	0.13	> 90%	< 20%	199,000
PLEDPNL2X4-35W-35KMV-PRM-CP	3500k	> 80	4,590	35	131	120-277	0.29	0.15	0.13	> 90%	< 20%	199,000
PLEDPNL2X4-35W-4KMV-PRM-CP	4000k	> 80	4,672	35	133	120-277	0.29	0.15	0.13	> 90%	< 20%	199,000
PLEDPNL2X4-35W-5KMV-PRM-CP	5000k	> 80	4,836	35	138	120-277	0.29	0.15	0.13	> 90%	< 20%	199,000

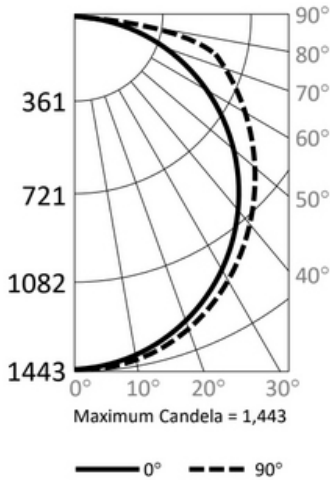
¹ Color rendering index

² Total harmonic distortion

³ L₇₀ refers to the number of hours at which lumen output declines to 70% of the initial level. L₇₀ hours are IES TM-21-11 calculated hours.

PHOTOMETRIC DATA

ELEDPNL2X4-35W-3KMV-PRM-CP (4,508 Lumens)



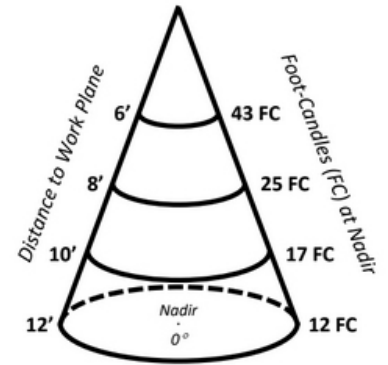
Candlepower Summary

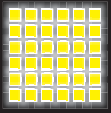
	0°	90°
0°	1,442	1,442
10°	1,413	1,417
20°	1,334	1,345
30°	1,206	1,229
40°	1,040	1,084
50°	840	932
60°	612	782
70°	369	623
80°	135	352
90°	1	1

Zonal Lumen Summary

Zone	Lumens	% Fixture
0° – 10°	137	3.0%
0° – 20°	529	11.7%
0° – 30°	1,124	24.9%
0° – 40°	1,846	41.0%
0° – 50°	2,607	57.8%
0° – 60°	3,326	73.8%
0° – 70°	3,933	87.2%
0° – 80°	4,369	96.9%
0° – 90°	4,500	99.8%
90° – 180°	8	0.2%
0° – 180°	4,508	100.0%

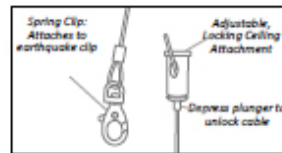
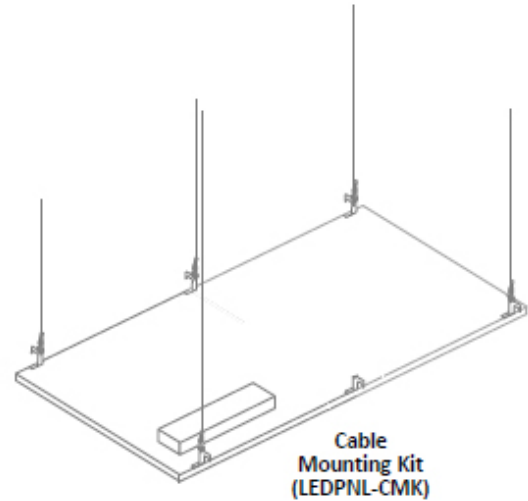
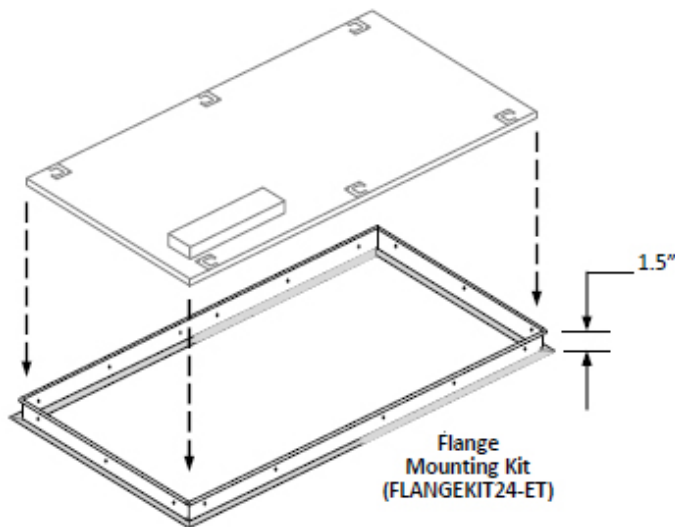
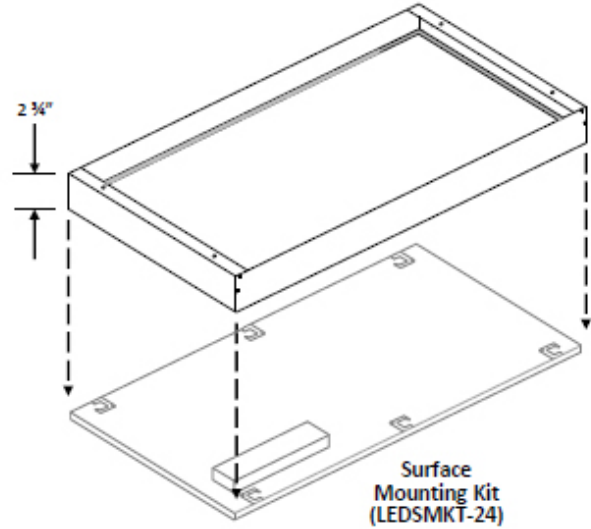
Cone of Light





OPTIONS

- Optional surface mounting kits (LEDSMKT-24) mounts below the ceiling.
- Optional flange mounting kits provide for recessed installation on plaster or other hard ceilings. Attach Flange Mount Kit (FLANGEKIT24-ET) to ceiling joists or other stationary structures, and the panel is mounted flush to the ceiling.
- Optional cable mounting kits provide additional security, as well as suspended mounting. Attach one end of the Cable Mount Kit (LEDPNL-CMK) to luminaire earthquake clips using spring clips, and attach the other end to stationary structures using the adjustable, locking ceiling attachment (see picture below right).
- Optional bracket for emergency battery backup unit (LEDPNL-EMBRKT) provides structural support to prevent panels from bending when the battery backups are installed.



Cable Mount Kit:

- Spring Clip
- Adjustable, locking ceiling attachment

