

PLEDWP120W

120 Watt LED Wall Pack

FEATURES

- Available in 4000k (neutral white) and 5000k (cool white) color temperatures*
- Long-life LEDs provide 56,000 hours of operation with at least 70% of initial lumen output (L70)**
- ELEDWP60W models deliver 1,246 lumens and 101 lumens per watt (LPW) at both 4000k and 5000k*
- Uniform illumination with no visible LED pixilation
- Universal 100-277 AC voltage (50-60Hz) is standard
- Power factor > 0.90
- Total harmonic distortion < 20%
- Color rendering index > 80
- Die cast aluminum housing with durable, dark bronze, powder coat paint
- Tempered, borosilicate glass lens with seamless, silicone gasket to prevent leaks
- Removable, threaded plugs for side attachment of ½” rigid electrical conduit, or for button photocells
- Easy installation in new construction or retrofit

*Contact factory for other color temperatures and lumen packages
 ** L70 hours are IES TM-21-11 calculated hours



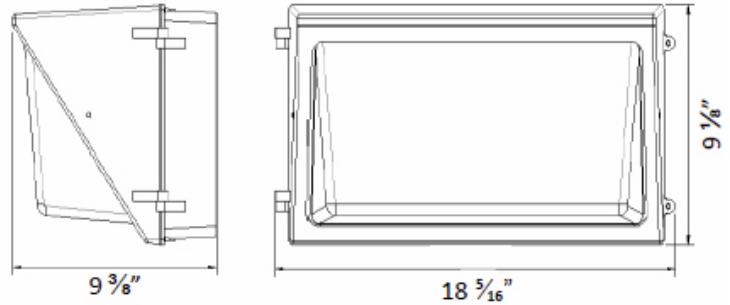
The PLEDWP120W is a rugged, durable LED wall pack, which is perfect for outdoor perimeter and area lighting. With a die cast aluminum housing and a vandal resistant, borosilicate glass lens, the PLEDWP120W will stand up to many years of punishing environmental conditions. High-efficacy, long-life LEDs provide both energy and maintenance cost savings compared to traditional, HID wall packs.

WARRANTY & LISTINGS

- cULus listed for wet locations (-20°C to 40°C / -4°F to 104°F)
- P54 rated
- Complies with FCC Part 15, Class B
- 3-year warranty on all electronics and housing

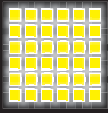


DIMENSIONS



ORDERING INFORMATION

MODEL	LUMINAIRE WATTS	LUMINAIRE LUMENS	LUMENS PER WATT	COLOR TEMPERATURE
PLEDWP120W-4K	120	12,146	101	4K = 4000k
PLEDWP120W-5K	120	12,146	101	5K = 5000k



ELECTRICAL DATA

MODEL	COLOR TEMP	CRI ¹	LUMINAIRE LUMENS	LUMINAIRE WATTS	LUMENS PER WATT	INPUT VOLTAGE	INPUT CURRENT (A)			POWER FACTOR	THD ²	L ₇₀ HOURS ³
							120V	240V	277V			
PLEDWP120W-4K	4000K	> 80	12,146	120	101	120-277 (50-60Hz)	1.00	0.50	0.42	> 90%	< 20%	56,000
PLEDWP120W-5K	5000K	> 80	12,146	120	101	120-277 (50-60Hz)	1.00	0.50	0.43	> 90%	< 20%	56,000

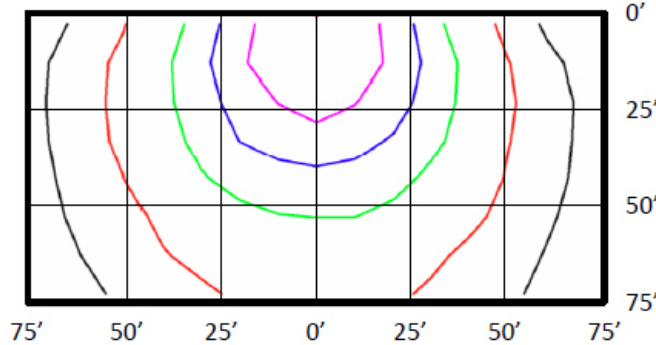
¹ Color rendering index

² Total harmonic distortion

³ L₇₀ refers to the number of hours at which lumen output declines to 70% of the initial level. L₇₀ hours are IES TM-21-11 calculated hours.

PHOTOMETRIC DATA

LEDWP120W-4K (12,146 Lumens)



Notes:

- Isofootcandle plots depict initial footcandles at grade.
- Gridlines represent units of mounting height of 25 feet.

Foot Candles



BUG Rating: B2-U5-G5

Zone	Lumens	
FL - Front - Low (0-30)	1,175	10%
FM - Front - Medium (30-60)	3,212	26%
FH - Front - High (60-80)	2,586	21%
FVH - Front - Very High (80-90)	1,159	10%
Total Forward Light	8,132	67%
BL - Back - Low (0-30)	631	5%
BM - Back - Medium (30-60)	602	5%
BH - Back - High (60-80)	160	1%
BVH - Back - Very High (80-90)	31	0%
Total Back Light	1,425	12%
UL - Up Light - Low (90-100)	997	8%
UH - Up Light - High (100-180)	1,592	13%
Total Up Light	2,589	21%
Total Lumens	12,146	100%