

PROlite LED Lighting™

A Division of Emergensee® Lighting, Inc.

TYPE: _____ DATE: _____

JOB NAME: _____

CONTRACTOR: _____

CATALOG NO: _____

NOTES: _____

PLEDWP30W

30 Watt LED Wall Pack

FEATURES

- Available in 4000k (neutral white) and 5000k (cool white) color temperatures*
- Long-life LEDs provide 69,000 hours of operation with at least 70% of initial lumen output (L70)**
- Choose from 2,747 lumens and 95 lumens per watt (LPW) at 4000k, or 2,801 lumens and 97 LPW at 5000k*
- Uniform illumination with no visible LED pixilation
- Universal 100-277 AC voltage (50-60Hz) is standard
- Power factor > 0.90
- Total harmonic distortion < 20%
- Color rendering index > 80
- Die cast aluminum housing with durable, dark bronze, powder coat paint
- Tempered, borosilicate glass lens with seamless, silicone gasket to prevent leaks
- Easy installation in new construction or retrofit

*Contact factory for other color temperatures and lumen packages

** L70 hours are IES TM-21-11 calculated hours



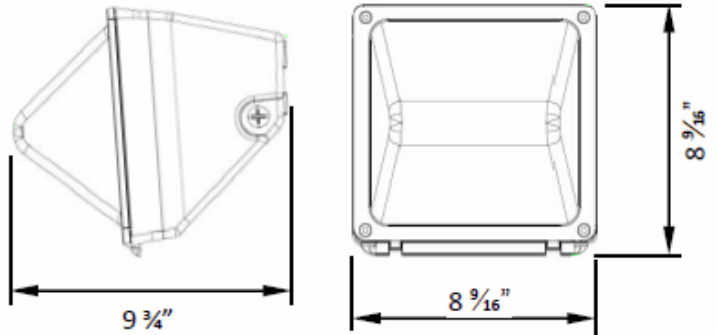
The PLEDWP30W is a rugged, durable LED wall pack, which is perfect for outdoor perimeter and area lighting. With a die cast aluminum housing and a vandal resistant, borosilicate glass lens, the PLEDWP30W will stand up to many years of punishing environmental conditions. High-efficacy, long-life LEDs provide both energy and maintenance cost savings compared to traditional, HID wall packs.

WARRANTY & LISTINGS

- cULus listed for wet locations (-20°C to 40°C / -4°F to 104°F)
- P54 rated
- Complies with FCC Part 15, Class B
- 3-year warranty on all electronics and housing



DIMENSIONS

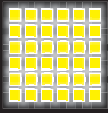


ORDERING INFORMATION

MODEL	LUMINAIRE WATTS	LUMINAIRE LUMENS	LUMENS PER WATT	COLOR TEMPERATURE
PLEDWP30W-4K PLEDWP30W-5K	29 29	2,747 2,801	95 97	4K = 4000k 5K = 5000k

215-512-8100 • Fax 267-288-5604
421 Bustleton Pike, Feasterville, PA 19053
www.proliteled.com

Specifications subject to change without prior notice.
© 2016, PROlite LED Lighting, Inc. ALL RIGHTS RESERVED



ELECTRICAL DATA

MODEL	COLOR TEMP	CRI ¹	LUMINAIRE LUMENS	LUMINAIRE WATTS	LUMENS PER WATT	INPUT VOLTAGE	INPUT CURRENT (A)			POWER FACTOR	THD ²	L ₇₀ HOURS ³
							120V	240V	277V			
PLEDWP30W-4K PLEDWP30W-5K	4000K	> 80	2,747	29	45	120-277 (50-60Hz) 120-277 (50-60Hz) 120-277 (50-60Hz) 120-277 (50-60Hz)	0.24	0.12	0.10	> 90%	< 20%	69,000
	5000K	> 80	2,801	29	45 85 85							

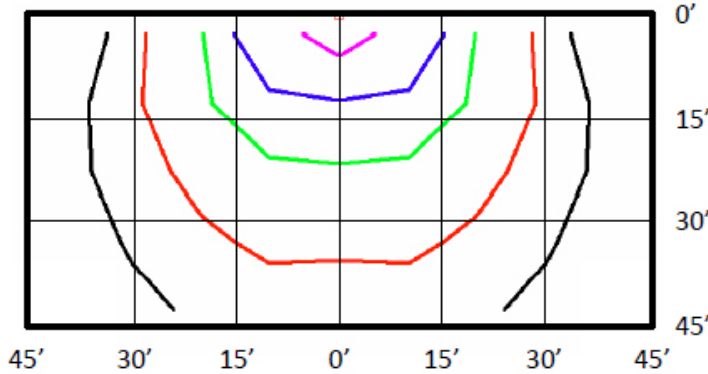
¹ Color rendering index

² Total harmonic distortion

³ L₇₀ refers to the number of hours at which lumen output declines to 70% of the initial level. L₇₀ hours are IES TM-21-11 calculated hours.

PHOTOMETRIC DATA

LEDWP30W-4K (2,747 Lumens)



Notes:

- Isofootcandle plots depict initial footcandles at grade.
- Gridlines represent units of mounting height of 15 feet.

Foot Candles

- 5.0
- 2.0
- 1.0
- 0.5
- 0.2
- 0.1

BUG Rating: B1-U3-G3

Zone	Lumens	%
FL - Front - Low (0-30)	273	10%
FM - Front - Medium (30-60)	665	24%
FH - Front - High (60-80)	562	20%
FVH - Front - Very High (80-90)	232	8%
Total Forward Light	1,732	63%
BL - Back - Low (0-30)	176	6%
BM - Back - Medium (30-60)	249	9%
BH - Back - High (60-80)	78	3%
BVH - Back - Very High (80-90)	18	1%
Total Back Light	521	19%
UL - Up Light - Low (90-100)	190	7%
UH - Up Light - High (100-180)	304	11%
Total Up Light	494	18%
Total Lumens	2,747	100%