

PROlite LED Lighting™

A Division of Emergensee® Lighting, Inc.

TYPE: _____ DATE: _____

JOB NAME: _____

CONTRACTOR: _____

CATALOG NO: _____

NOTES: _____

PLEDWP60W/80W

60 & 80 Watt LED Wall Pack

FEATURES

- Available in 4000k (neutral white) and 5000k (cool white) color temperatures*
- Long-life LEDs provide 59,000 hours of operation (LEDWP60W), or 57,000 hours of operation (LEDWP80W) with at least 70% of initial lumen output (L70)**
- PLEDWP60W models deliver 6,990 lumens and 115 lumens per watt (LPW) at 4000k, or 7,231 lumens and 119 LPW at 5000k*
- PLEDWP80W models deliver 9,803 lumens and 126 LPW at 4000k, or 9,953 lumens and 128 LPW at 5000k*
- Uniform illumination with no visible LED pixilation.
- Universal 100-277 AC voltage (50-60Hz) is standard
- Power factor > 0.90
- Total harmonic distortion < 20%
- Color rendering index > 70
- Die cast aluminum housing with durable, dark bronze, powder coat paint
- Tempered, borosilicate glass lens with seamless, silicone gasket to prevent leaks
- Removable, threaded plugs for side attachment of 1/2" rigid electrical conduit, or for button photocells
- Easy installation in new construction or retrofit

*Contact factory for other color temperatures and lumen packages

** L70 hours are IES TM-21-11 calculated hours

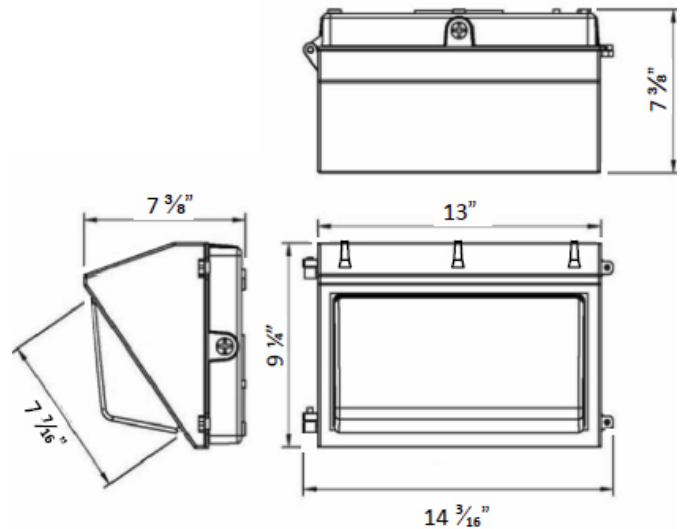
WARRANTY & LISTINGS

- cULus listed for wet locations (-20°C to 40°C / -4°F to 104°F)
- DLC approved
- IP65 rated
- Complies with EN61000-4-5, surge immunity (2kV).
- Tested and approved to UL1598, UL8750 and IEC60598 safety standards
- 5-year warranty on all electronics and housing.



The PLEDWP60W/80W are rugged, durable LED wall packs, which are perfect for outdoor perimeter and area lighting. With die cast aluminum housings and vandal resistant, borosilicate glass lenses, the PLEDWP60W/80W will stand up to many years of punishing environmental conditions. High-efficacy, long-life LEDs provide both energy and maintenance cost savings compared to traditional, HID wall packs.

DIMENSIONS

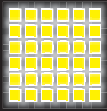


ORDERING INFORMATION

| MODEL | LUMINAIRE WATTS | LUMINAIRE LUMENS | LUMENS PER WATT | COLOR TEMPERATURE |
|--------------|-----------------|------------------|-----------------|-------------------|
| PLEDWP60W-4K | 61 | 6,990 | 115 | 4K = 4000k |
| PLEDWP60W-5K | 61 | 7,231 | 119 | 5K = 5000k |
| PLEDWP80W-4K | 78 | 9,803 | 126 | 4K = 4000k |
| PLEDWP80W-5K | 78 | 9,953 | 128 | 5K = 5000k |

215-512-8100 • Fax 267-288-5604
421 Bustleton Pike, Feasterville, PA 19053
www.proliteled.com

Specifications subject to change without prior notice.
© 2016, PROlite LED Lighting, Inc. ALL RIGHTS RESERVED



ELECTRICAL DATA

| MODEL | COLOR TEMP | CRI ¹ | LUMINAIRE LUMENS | LUMINAIRE WATTS | LUMENS PER WATT | INPUT VOLTAGE | INPUT CURRENT (A) | | | POWER FACTOR | THD ² | L ₇₀ HOURS ³ |
|--------------|------------|------------------|------------------|-----------------|-----------------|-------------------|-------------------|------|------|--------------|------------------|------------------------------------|
| | | | | | | | 120V | 240V | 277V | | | |
| PLEDWP60W-4K | 4000K | > 70 | 6,990 | 61 | 115 | 120-277 (50-60Hz) | 0.51 | 0.25 | 0.22 | > 90% | < 20% | 59,000 |
| PLEDWP60W-5K | 5000K | > 70 | 7,231 | 61 | 119 | 120-277 (50-60Hz) | 0.51 | 0.25 | 0.22 | > 90% | < 20% | 59,000 |
| PLEDWP80W-4K | 4000K | > 70 | 9,803 | 78 | 126 | 120-277 (50-60Hz) | 0.65 | 0.33 | 0.28 | > 90% | < 20% | 57,000 |
| PLEDWP80W-5K | 5000K | > 70 | 9,953 | 78 | 128 | 120-277 (50-60Hz) | 0.65 | 0.33 | 0.28 | > 90% | < 20% | 57,000 |

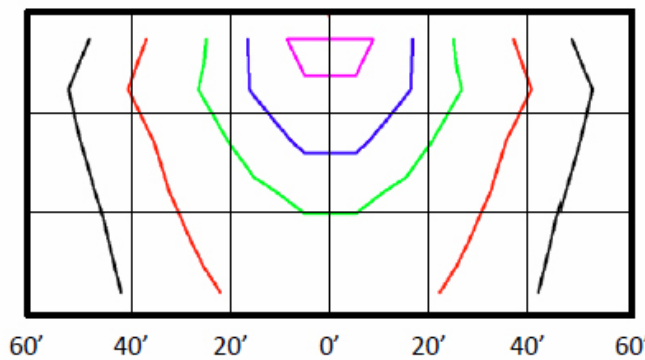
¹ Color rendering index

² Total harmonic distortion

³ L₇₀ refers to the number of hours at which lumen output declines to 70% of the initial level. L₇₀ hours are IES TM-21-11 calculated hours.

PHOTOMETRIC DATA

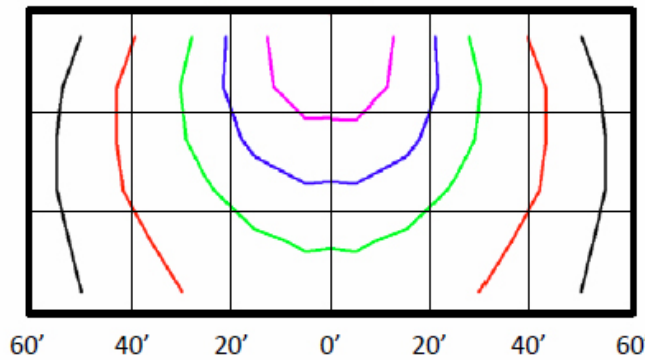
LEDWP60W-5K (7,231 Lumens)



BUG Rating: B1-U4-G4

| Zone | Lumens | % |
|---------------------------------|--------------|-------------|
| FL - Front - Low (0-30) | 681 | 9% |
| FM - Front - Medium (30-60) | 2,066 | 29% |
| FH - Front - High (60-80) | 1,581 | 22% |
| FVH - Front - Very High (80-90) | 684 | 9% |
| Total Forward Light | 5,012 | 69% |
| BL - Back - Low (0-30) | 377 | 5% |
| BM - Back - Medium (30-60) | 357 | 5% |
| BH - Back - High (60-80) | 99 | 1% |
| BVH - Back - Very High (80-90) | 24 | 0% |
| Total Back Light | 856 | 12% |
| UL - Up Light - Low (90-100) | 568 | 8% |
| UH - Up Light - High (100-180) | 796 | 11% |
| Total Up Light | 1,363 | 19% |
| Total Lumens | 7,231 | 100% |

LEDWP80W-5K (9,953 Lumens)



BUG Rating: B1-U4-G5

| Zone | Lumens | % |
|---------------------------------|--------------|-------------|
| FL - Front - Low (0-30) | 909 | 9% |
| FM - Front - Medium (30-60) | 2,707 | 27% |
| FH - Front - High (60-80) | 2,240 | 23% |
| FVH - Front - Very High (80-90) | 980 | 10% |
| Total Forward Light | 6,836 | 69% |
| BL - Back - Low (0-30) | 440 | 4% |
| BM - Back - Medium (30-60) | 441 | 4% |
| BH - Back - High (60-80) | 128 | 1% |
| BVH - Back - Very High (80-90) | 30 | 0% |
| Total Back Light | 1,038 | 10% |
| UL - Up Light - Low (90-100) | 836 | 8% |
| UH - Up Light - High (100-180) | 1,243 | 12% |
| Total Up Light | 2,079 | 21% |
| Total Lumens | 9,953 | 100% |



Notes:

- Isofootcandle plots depict initial footcandles at grade.
- Gridlines represent units of mounting height of 15 feet.