



**PROlite** LED Lighting™

A Division of Emergensee® Lighting, Inc.

TYPE: \_\_\_\_\_ DATE: \_\_\_\_\_

JOB NAME: \_\_\_\_\_

CONTRACTOR: \_\_\_\_\_

CATALOG NO: \_\_\_\_\_

NOTES: \_\_\_\_\_

# PLEDWPA Series

60 & 80 Watt LED Adjustable Wall Pack

## FEATURES

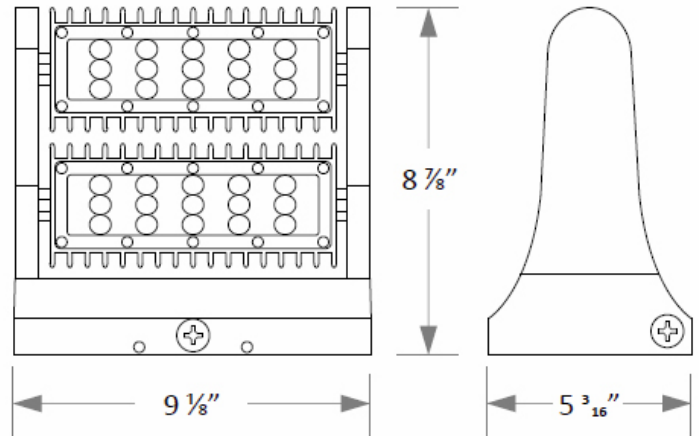
- Available in 4000k (neutral white) and 5000k (cool white) color temperatures
- Long-life LEDs provide 61,000 hours of operation with at least 70% of initial lumen output (L70)\*\*
- PLEDWPA60 provides 7,809 lumens and 128 lumens per watt (LPW) at 4000k, or 7,854 lumens and 129 LPW at 5000k.\*
- PLEDWPA80 provides 10,598 lumens and 134 LPW at both 4000k and 5000k\*
- Uniform illumination with no visible LED pixilation
- Universal 120-277 AC voltage (50-60Hz) is standard
- Power factor > 0.90
- Total harmonic distortion < 20%
- Color rendering index > 70
- Die cast aluminum housing with durable, dark bronze, powder coat paint
- Polycarbonate lens with seamless, silicone gasket to prevent leaks
- Easy installation in new construction or retrofit

\* Contact factory for other color temperatures and lumen packages.  
\*\* L70 hours are IES TM-21-11 calculated hours.



The PLEDWPA Series is a rugged, durable LED wall pack that provides full adjustability of the LED module, so light can be focused up, down, or anything in between. It is perfect for outdoor perimeter and area lighting. With a die cast aluminum housing and a polycarbonate lens, the PLEDWPA Series will stand up to many years of punishing environmental conditions. High-efficacy, long-life LEDs provide both energy and maintenance cost savings compared to traditional, HID wall packs.

## DIMENSIONS



Weight: 6.6 lb.

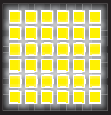
## WARRANTY & LISTINGS

- cULus listed for wet locations (-20°C to 45°C / -4°F to 113°F)
- DLC approved
- IP65 rated
- Complies with FCC Part 15 class B
- Complies with EN61000-4-5, surge immunity (4kV)
- 5-year warranty on all electronics and housing



## ORDERING INFORMATION

MODEL	LUMINAIRE WATTS	LUMINAIRE LUMENS	LUMENS/WATT	COLOR TEMP
PLEDWPA60W	61	7,809	128	4K = 4000k
PLEDWPA60W	61	7,854	129	5K = 5000k
PLEDWPA80W	79	10,598	134	4K = 4000k
PLEDWPA80W	79	10,598	134	5K = 5000k



**ELECTRICAL**

MODEL	COLOR TEMP	CRI <sup>1</sup>	LUMINAIRE LUMENS	LUMINAIRE WATTS	LUMENS/WATT	INPUT VOLTAGE <sup>2</sup>	INPUT CURRENT (A)			POWER FACTOR	THD <sup>3</sup>	L <sub>70</sub> HOURS <sup>4</sup>
							120V	240V	277V			
PLEDWPA60W	4000k	> 70	7,809	61	128	120-277	0.51	0.25	0.22	> 90%	< 20%	61,000
PLEDWPA60W	5000k	> 70	7,854	61	129	120-277	0.51	0.25	0.22	> 90%	< 20%	61,000
PLEDWPA80W	4000k	> 70	10,598	79	134	120-277	0.66	0.33	0.29	> 90%	< 20%	61,000
PLEDWPA80W	5000k	> 70	10,598	79	134	120-277	0.66	0.33	0.29	> 90%	< 20%	61,000

<sup>1</sup> Color rendering index

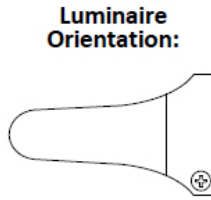
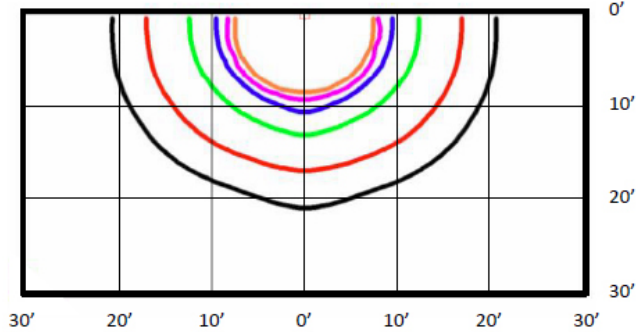
<sup>2</sup> Total harmonic distortion

<sup>3</sup> Total harmonic distortion

<sup>4</sup> L<sub>70</sub> refers to the number of hours at which lumen output declines to 70% of the initial level. L<sub>70</sub> hours are IES TM-21-11 calculated hours.

**PHOTOMETRIC DATA**

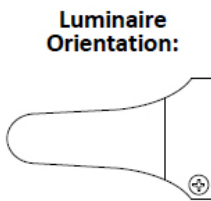
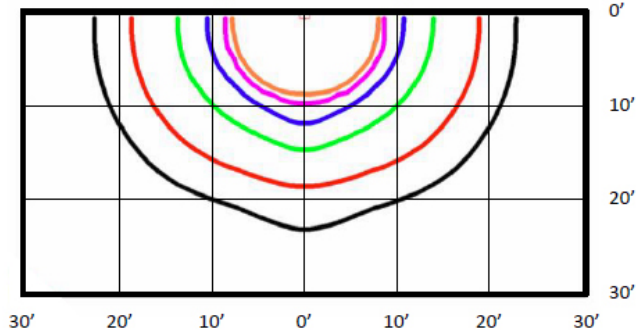
**LEDWPA60W-5K (7,854 Lumens)**



**BUG Rating: B4-U2-G1**

Zone	Lumens	%
FL - Front - Low (0-30)	3,381	43%
FM - Front - Medium (30-60)	720	9%
FH - Front - High (60-80)	84	1%
FVH - Front - Very High (80-90)	14	0%
<b>Total Forward Light</b>	<b>4,200</b>	<b>53%</b>
BL - Back - Low (0-30)	3,091	39%
BM - Back - Medium (30-60)	478	6%
BH - Back - High (60-80)	58	1%
BVH - Back - Very High (80-90)	4	0%
<b>Total Back Light</b>	<b>3,631</b>	<b>46%</b>
UL - Up Light - Low (90-100)	1	0%
UH - Up Light - High (100-180)	22	0%
<b>Total Up Light</b>	<b>24</b>	<b>0%</b>
<b>Total Lumens</b>	<b>7,854</b>	<b>100%</b>

**LEDWPA80W-5K (10,598 Lumens)**



**BUG Rating: B4-U2-G1**

Zone	Lumens	%
FL - Front - Low (0-30)	4,278	40%
FM - Front - Medium (30-60)	898	8%
FH - Front - High (60-80)	109	1%
FVH - Front - Very High (80-90)	18	0%
<b>Total Forward Light</b>	<b>5,304</b>	<b>50%</b>
BL - Back - Low (0-30)	4,314	41%
BM - Back - Medium (30-60)	862	8%
BH - Back - High (60-80)	81	1%
BVH - Back - Very High (80-90)	5	0%
<b>Total Back Light</b>	<b>5,262</b>	<b>50%</b>
UL - Up Light - Low (90-100)	1	0%
UH - Up Light - High (100-180)	31	0%
<b>Total Up Light</b>	<b>33</b>	<b>0%</b>
<b>Total Lumens</b>	<b>10,598</b>	<b>100%</b>

- Foot Candles**
- 5.0
  - 2.0
  - 1.0
  - 0.5
  - 0.2
  - 0.1

**Notes:**

- Isofootcandle plots depict initial footcandles at grade.
- Gridlines represent units of mounting height of 10 feet.