



**PROlite** LED Lighting™

A Division of Emergensee® Lighting, Inc.



TYPE: \_\_\_\_\_ DATE: \_\_\_\_\_

JOB NAME: \_\_\_\_\_

CONTRACTOR: \_\_\_\_\_

CATALOG NO: \_\_\_\_\_

NOTES: \_\_\_\_\_

# PPF71Q

Reveal Small Post Top Area Light - Enclosed

## HOUSING

- Die Cast Aluminum Housing, Integral Heat Sinking, Black Powdercoat Finish Over a chromate Conversion Coating
- Photocell Adaptable

## LENS

- Clear Prismatic or LumaLens Opal Array Lens to Seal LED Array, Polycarbonate Prismatic Outer Conical Lens.

## MOUNTING

- Accommodates 3" Tenons

## LumaFit LED

- Delivered Lumens: 6,391
- CRI: 80+
- CCT: 5000K
- Rated Life: 50,000 Hours
- 5-Year Warranty
- Aluminum Boards

## WATTAGE

- Array: 84w, System: 92.7w

## DRIVER

- Electronic Driver, 120-277V, 50/60Hz
- Dimmable Driver

## LISTINGS AND RATINGS

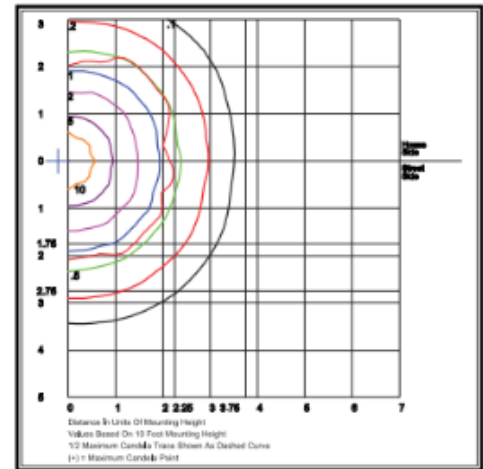
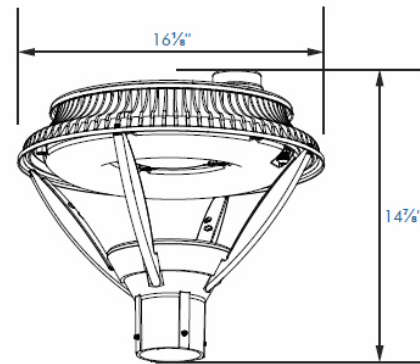
- IP67
- Operating Temperatures: -40°C to +50°C

## OPTIONS

- Surge Protection



## DIMENSIONS



## ORDERING INFORMATION: EXAMPLE= PPF71QF1X84U5KCBSP

MODEL	LED MFR	OPTICS	NO. OF ARRAYS	WATTAGE	BALLAST	CCT	LENS	COLOR	OPTIONS
PPF71	Q=QSSI	F=Type V	1X=One	84=84w	U=120-277V	5K=5000K	C=Clear Prismatic Array Lens	B=Black	SF=Single Fuse F=Double Fuse SP=Surge Protection PF70PC= Polycarbonate Outer Conical Lens

215-512-8100 • Fax 267-288-5604  
 421 Bustleton Pike, Feasterville, PA 19053  
 www.proliteled.com

Specifications subject to change without prior notice.  
 © 2016, PROlite LED Lighting, Inc. ALL RIGHTS RESERVED