

PROlite LED Lighting™

A Division of Emergensee® Lighting, Inc.



TYPE: _____ DATE: _____

JOB NAME: _____

CONTRACTOR: _____

CATALOG NO: _____

NOTES: _____

PPF80Q

Reveal Large Round Area Light - Open

HOUSING

- Die Cast Aluminum Housing, Integral Heat Sinking, Black Powdercoat Finish Over a chromate Conversion Coating

LENS

- Clear or LumaLens Opal Array Lens to Seal LED Array

MOUNTING

- Accommodates 3" Tenons

LumaFit LED

- Array Lumens: 24,553
- Delivered Lumens:
- Clear Array Lens:
 - 17,257 (3K); 18,818 (4K); 19,174 (5K)
- LumaLens Opal Array Lens:
 - 12,617 (3K); 12,827 (4K); 14,018 (5K)
- CRI: 80+
- CCT: 3000K, 4000K, 5000K
- Rated Life: 50,000 Hours
- Aluminum Boards

WATTAGE

- Array: 176w, System: 186w

DRIVER

- Electronic Driver, 120-277V, 50/60Hz or 347-480V, 50/60Hz; Dimmable Driver

LISTINGS AND RATINGS

- CSA: Listed for Wet Locations, ANSI/UL 1598, 8750 IP66 Sealed LED Compartment.

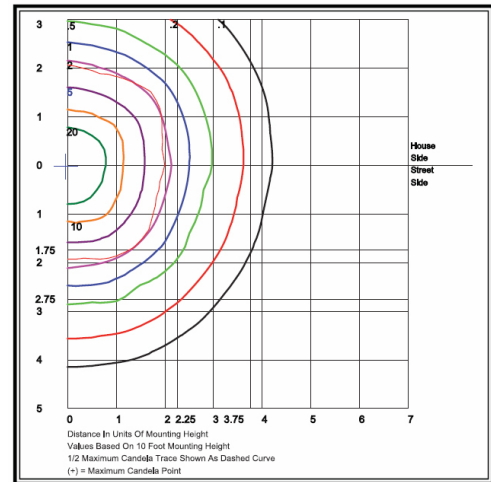
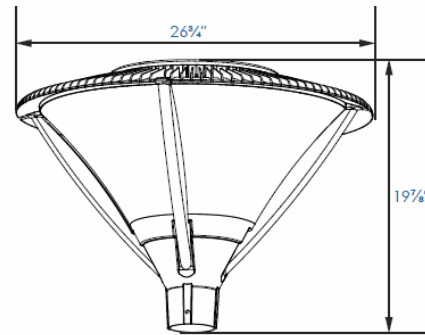
OPTIONS

- Surge Protection
- Twist-Lock Photocell Receptacles



LumaLens Opal Array

DIMENSIONS



ORDERING INFORMATION: EXAMPLE= PPF80QF1X84U5KCBSP

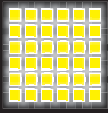
MODEL	LED MFR	OPTICS	NO. OF ARRAYS	WATTAGE	BALLAST	CCT	LENS	COLOR	OPTIONS
PPF80	Q=QSSI	F=Type V	1X=One	176=176w	U=120-277V H=347-480V	3K=3000K 4K=4000K 5K=5000K	C=Clear Array Lens, L=LumaLens Opal Array Lens	B=Black	SF=Single Fuse F=Double Fuse SP=Surge Protection R3=3-Pin Twist Lock Photocell Receptacle, R7=7-Pin ANSI C136.41-2013 Twist Lock Photocell Receptacle with P18132 Shorting Cap

215-512-8100 • Fax 267-288-5604

Four Neshaminy Interplex, Suite 107, Trevose PA 19053
www.proliteled.com

Specifications subject to change without prior notice.

© 2019, PROlite LED Lighting, Inc. ALL RIGHTS RESERVED



Catalog #	Description
PF80PC	Polycarbonate Outer Conical Lens.
P18131	Twist Lock Non-Shorting (Open) Cap Disconnects Service to Fixture for Temporary or Permanent Disabling (Fixture Always Off). IP65, 480V Maximum.
P18132	Twist Lock Shorting Cap Provides Fixed Service to Fixture (Fixture Always on). IP65, Rated Load 7200w Tungsten.
P18140	110-120VAC Instant Twist Lock
P18142	105-287VAC Instant Twist Lock
P18150	120VAC Time Delay Twist Lock
P18152	277VAC Time Delay Twist Lock



*PF80PC
(Shown Installed)*



P18131



P18132



*P18140,
P18142*



*P18150
P18152*