


# PROlite LED Lighting™

A Division of Emergensee® Lighting, Inc. 

TYPE: \_\_\_\_\_ DATE: \_\_\_\_\_

JOB NAME: \_\_\_\_\_

CONTRACTOR: \_\_\_\_\_

CATALOG NO: \_\_\_\_\_

NOTES: \_\_\_\_\_

## PTV2C3

### Small LED Traverse Wall Accent Light

**L70**  
25°C **76,000 Hours**



#### HOUSING

- Die-Cast Gasketed Aluminum Housing, Includes Cast-In Box Template and Built in Level White Reflector. Nickel-Plated Stainless Steel Hardware.

#### FINISH

- Textured Architectural Bronze Powdercoat Finish Over a Chromate Conversion Coating
- Custom Colors Available Upon Request

#### LENS

- Tempered Clear Flat Glass Lens

#### MOUNTING

- Mount Directly Over Recessed Electrical Box or Use 1/2" Surface Conduit

#### LED

- QSSI Cool Copper COB

#### WATTAGE

- 20w: COB 20w, System Input 21w (100w HID Equivalent)
- 40w: COB 40w, System Input 43w (175w HID Equivalent)

#### DRIVER

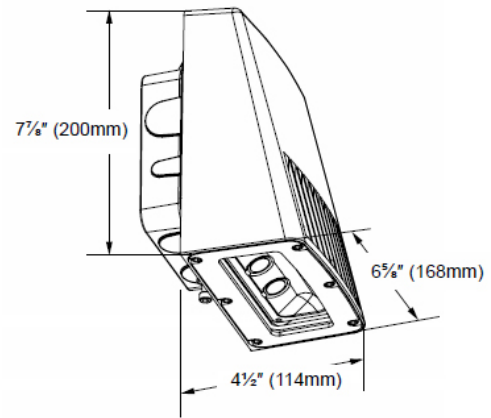
- Electronic Driver, 120-277V, 50/60Hz, 50/60Hz
- Dimmable Driver

#### LISTINGS AND WARRANTIES

- CSA: Listed for Wet Locations,
- ANSI/UL 1598, 8750
- IP65 Sealed LED Compartment
- LM-79 Report Available on Select Models
- See Page 2 for Projected Lumen Maintenance Table
- 5-Year Warranty



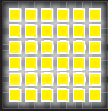
#### DIMENSIONS



The PTV2C3 cut-off wall mounted luminaire is available in two wattages designed to replace HID lighting systems up to 175w MH or HPS. Typical wall mounted lighting applications include retail centers, industrial parks, schools and universities, public transit and airports, office buildings and medical facilities. Mounting heights of 8 to 15 feet can be used based on light level and uniformity requirements.

#### ORDERING INFORMATION: EXAMPLE= PTV2C32X20U41KZSP

MODEL	WATTAGE	DRIVER	CCT	COLOR	OPTIONS
PTV2C3	2X10=20w 2X20=40w	U = 120-277V	41K=4100K	Z=Bronze C=Custom (Consult Factory)	SF = Single Fuse DF = Double Fuse SP = Surge Protection



**PROlite** LED Lighting™

A Division of Emergensee® Lighting, Inc.

TYPE: \_\_\_\_\_ DATE: \_\_\_\_\_

JOB NAME: \_\_\_\_\_

CONTRACTOR: \_\_\_\_\_

CATALOG NO: \_\_\_\_\_

NOTES: \_\_\_\_\_

**ACCESSORIES AND REPLACEMENT PARTS**



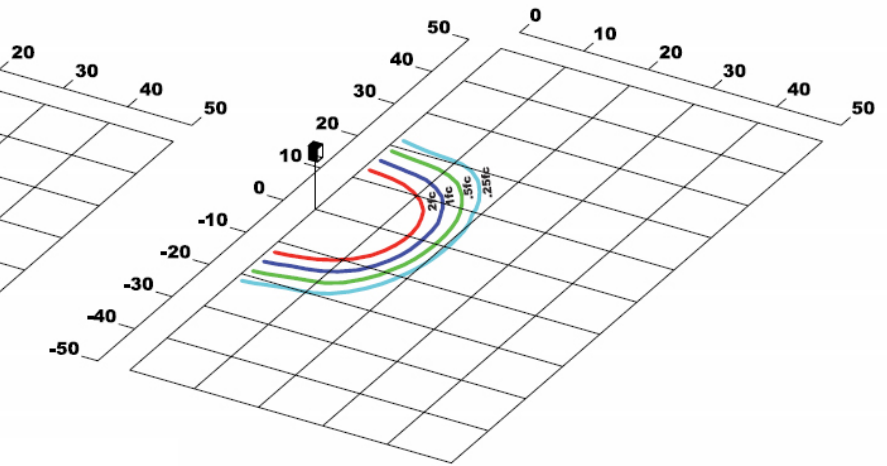
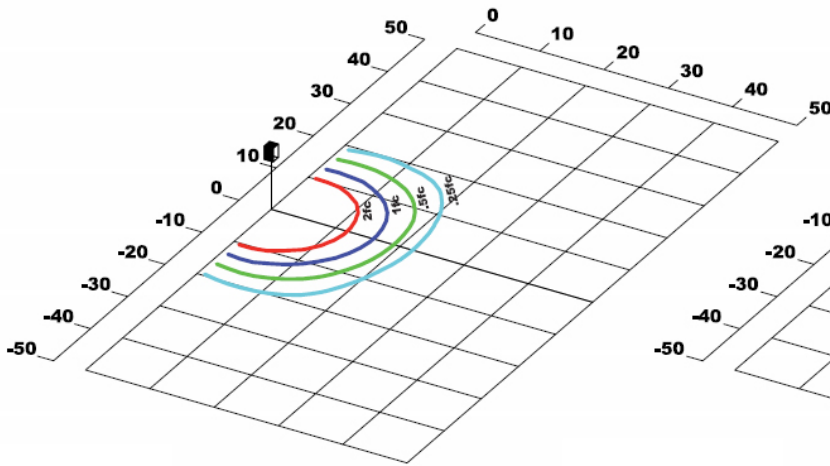
P18110 P18112

**ACCESSORIES**

P18110 = 110-130V, 120VAC Pencil Photocell

P18112 = 208-277V, 240VAC Pencil Photocell

**PHOTOMETRIC DATA**



**Type III**  
Grid in MH  
MH=10 Feet

**Type II**  
Grid in MH  
MH=10 Feet

**4100 CCT 80 CRI**

LED Board Watts	Drive Current (mA)	Input Watts	Optics	Lumens	LPW	B	U	G
COB LED 21w	525	21	Type III	2,300	110	1	1	0
COB LED 43w		43	Type II	4,025	94	2	1	1

**Projected Lumen Maintenance**

Data shown for 4100 CCT			Compare to MH				
TM-21-11	Input Watts	Initial	25,000 Hrs	50,000 Hrs	100,000 Hrs	Calculated L70@ 25°C	
L70 Lumen Maintenance @ 25°C / 77°F	21	1.00	0.91	0.82	0.64	84,000	
L70 Lumen Maintenance @ 25°C / 77°F	43	1.00	0.90	0.80	0.61	76,000	
TM-21-11	Input Watts	Initial	25,000 Hrs	50,000 Hrs	100,000 Hrs	Calculated L70@ 50°C	
L70 Lumen Maintenance @ 50°C / 122°F	21	1.00	0.89	0.78	0.55	67,000	
L70 Lumen Maintenance @ 50°C / 122°F	43	1.00	0.86	0.72	0.44	54,000	
TM-21-11	Input Watts	Initial	25,000 Hrs	50,000 Hrs	100,000 Hrs	Calculated L80@ 40°C	
L80 Lumen Maintenance @ 40°C / 104°F	21	1.00	0.89	0.78	0.57	46,000	
L80 Lumen Maintenance @ 40°C / 104°F	43	1.00	0.88	0.76	0.52	42,000	

**NOTES:**

1. Projected per IESNA TM-21-11. Data references the extrapolated performance projections for the 525mA base model in a 25°C ambient, based on 10,000 hours of LED testing per IESNA LM-80-08.
2. Compare to MH box indicates suggested Light Loss Factor (LLF) to be used when comparing to Metal Halide (MH) systems.