

PROlite LED Lighting™

A Division of Emergensee® Lighting, Inc.

TYPE: _____ DATE: _____

JOB NAME: _____

CONTRACTOR: _____

CATALOG NO: _____

NOTES: _____

PWPC34Q

EasyLED Crescent II Up/Down Wall Sconce

HOUSING

- Decorative Die Cast Aluminum Housing, Nickel-Plated Stainless Steel Hardware.

WARRANTY & LISTINGS

- CSA: Listed for Wet Locations, ANSI/UL 1598, 8750 IP55 Sealed LED Compartment.

FINISH

- Textured Architectural Bronze Powdercoat Finish Over a Chromate Conversion Coating.
- Custom Colors Available Upon Request.

LENS

- Tempered Clear Flat Glass Lenses.

MOUNTING OPTIONS

- Cast-in template for mounting directly over a 4" recessed outlet box, or Use 1/2" surface conduit

EASYLED LED

- Aluminum boards

WATTAGE

- Array: 32w, System: 34.6w
- (70w HID Equivalent)

DRIVER

- Electronic Driver, 120-277V, 50/60Hz, Dimmable Driver

L70
25°C **213,000 Hours**

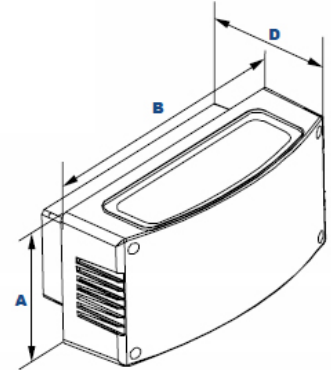


The LEPC PWP34Q architectural wall luminaire provides up AND down lighting with a wide distribution designed to replace HID lighting systems up to 70w MH or HPS. Typical wall mounted lighting applications include retail centers, industrial parks, schools and universities, public transit and airports, office buildings and medical facilities. Mounting heights of 8 to 16 feet can be used based on light level and uniformity requirements.

DIMENSIONS

Dimensions

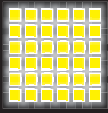
Width (D)	7 1/2" (182mm)
Length (B)	14 3/4" (365mm)
Height (A)	7" (178mm)



ORDERING INFORMATION

Example: PWPC45QD1X174U5KCZSP

MODEL	OPTICS	WATTAGE	DRIVER	CCT	LENS	COLOR	OPTIONS
PWPC34Q	D=Type V	2X16=32w	U = 120-277V	4K=4000K	C=Clear Flat Glass Lens	Z = Bronze C = Custom (Consult Factory)	SF=Single Fuse DF=Double Fuse SP=Surge Protection PC1=Photocell, 120VAC PC2=Photocell, 250-305VAC



PROlite LED Lighting™

A Division of Emergence® Lighting, Inc.



TYPE: _____ DATE: _____

JOB NAME: _____

CONTRACTOR: _____

CATALOG NO: _____

NOTES: _____

ACCESSORIES AND REPLACEMENT PARTS

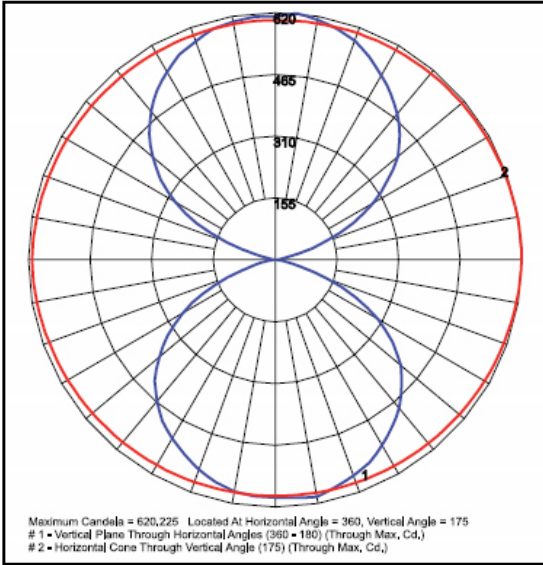


PC1 & PC2

Replacement Parts (Order separately, Field installed)

PC1	120VAC, PhotoCell
PC2	250-305VAC, PhotoCell

PHOTOMETRIC DATA



PHOTOMETRIC PERFORMANCE

LED Board Watts	Drive Current (mA)	Input Watts	Optics	4000 CCT 80 CRI				
				Lumens	LPW	B	U	G
EasyLED 32w	525	35	Type V	3,387	97	1	5	1

PROJECTED LUMEN MAINTENANCE

Data shown for 4000 CCT		Compare to MH				
TM-21-11	Input Watts	Initial	25,000 Hrs	50,000 Hrs	100,000 Hrs	Calculated L70@ 25°C
L70 Lumen Maintenance @ 25°C / 77°F	35	1.00	0.96	0.93	0.86	213,000
TM-21-11	Input Watts	Initial	25,000 Hrs	50,000 Hrs	100,000 Hrs	Calculated L70@ 50°C
L70 Lumen Maintenance @ 50°C / 122°F	35	1.00	0.93	0.87	0.73	113,000
TM-21-11	Input Watts	Initial	25,000 Hrs	50,000 Hrs	100,000 Hrs	Calculated L80@ 40°C
L80 Lumen Maintenance @ 40°C / 104°F	35	1.00	0.95	0.89	0.78	91,000

NOTES:

1. Projected per IESNA TM-21-11. Data references the extrapolated performance projections for the 525mA base model in a 25°C ambient, based on 10,000 hours of LED testing per IESNA LM-80-08.
2. Compare to MH box indicates suggested Light Loss Factor (LLF) to be used when comparing to Metal Halide (MH) systems.