



PWPC15Q

AmberLED Constellation Medium Full Cutoff Wall Pack

FEATURES

- L70 @25° = 213,000 Hours
- Housing: Die Cast Hinged and Gasketed Aluminum Front Frame and Housing with 1/2" Coin Plugs. Nickel-Plated Stainless Steel Hardware. Photocell Adaptable.
- Finish: Textured Architectural Bronze Powdercoat Finish Over a Chromate Conversion Coating. Custom Colors Available Upon Request.
- Lens: Tempered Clear Flat Glass Lens or Tempered Clear Flat Prismatic Glass Lens.
- AmberLED: Aluminum Boards
- Array: 37w, System: 40w (250w HID Equivalent)
- Driver: Electronic Driver, 120-277V, 50/60Hz; Dimmable Driver

WARRANTY & LISTINGS

- CSA: Listed for Wet Locations.
- Operating Temperatures: -40°C to +40°C
- IP65
- 5-year warranty of all electronics and housing



REPLACEMENT PARTS



- WPC15LG Clear Polycarbonate Vandal Resistant Guard, Includes Hardware.
- WPC15WG Wire Guard, Stainless Steel Construction, Includes Hardware.
- WPC15GLC Tempered Clear Flat Glass Lens.
- WPC15GLP Tempered Prismatic Flat Glass Lens.
- PC1 120VAC, Photocell
- PC2 250-305VAC, Photocell
- 3EBL1202774500 Battery Backup, Provides 90 Minutes of Backup Power.P18122: 208-277V, 240VAC Swivel Photocell
- 3EBL120277: Battery Backup, Provides 90 Minutes of Backup Power



The LEPG AmberLED PWPC15Q cut-off wall pack luminaire is available in an IES Type V distribution designed to replace HID lighting systems 175w to 250 MH or HPS for wildlife or security applications requiring monochromatic AMBER light. LEDs operate between 585 and 595 nm, greater than 560nm required for wildlife protection. Typical wall mounted lighting applications include retail centers, industrial parks, schools and universities, office buildings and medical facilities. Mounting heights of 12 to 18 feet can be used based on light level and uniformity requirements.

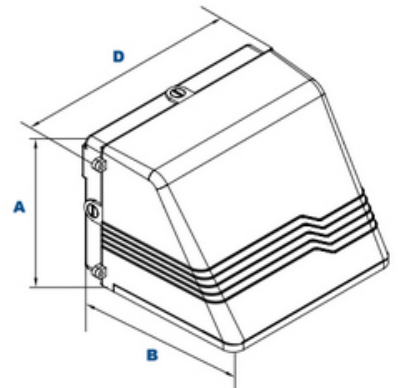
MOUNTING OPTIONS

- Mounting Options: Cast-in Template for Mounting Directly Over a 4" Recessed Outlet Box, or Use 1/2" Surface Conduit.

DIMENSIONS

Dimensions

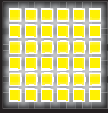
Width (D)	14 1/4" (362mm)
Length (B)	11 3/4" (289mm)
Height (A)	9 1/4" (232mm)



ORDERING INFORMATION

Example: PWPC15QF1X37UAMCZSP

MODEL	OPTICS	WATTAGE	DRIVER	CCT	LENS	CCT	OPTIONS
PWPC15Q	F = TYPE 5	1X37 = 37w	U = 120-277V	AM = Amber	C = Clear Flat Glass P = Clear Flat Prismatic Glass	Z = Bronze C = Custom (Consult Factory)	SF = Single Fuse DF = Double Fuse SP = Surge Protection PC1 = Photocell, 120VAC PC2 = Photocell, 250-305VAC BU = Battery Backup, 90 Minutes



PROlite LED Lighting™

A Division of Emergensee® Lighting, Inc.



TYPE: _____ DATE: _____

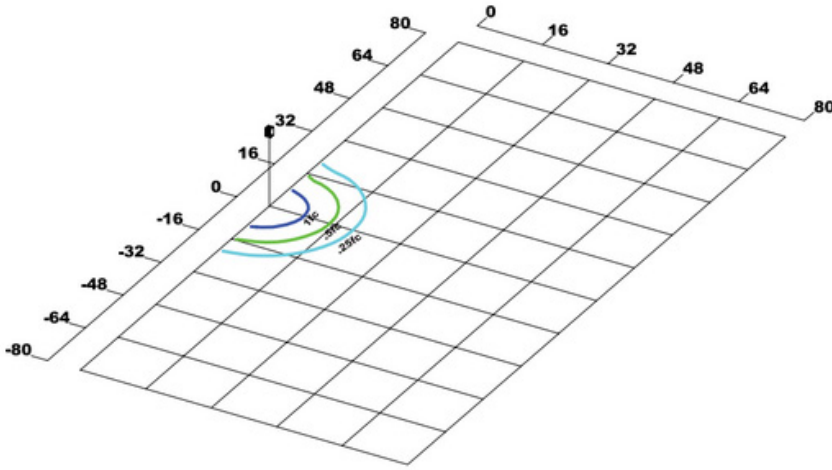
JOB NAME: _____

CONTRACTOR: _____

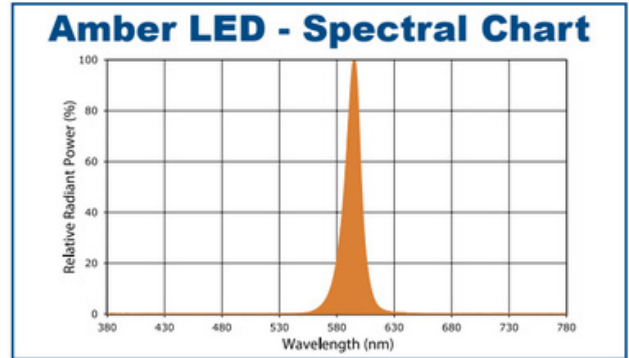
CATALOG NO: _____

NOTES: _____

PHOTOMETRIC DATA



PWPC15QF1X37UAMC
 Type V
 Grid in MH
 MH=16 Feet



PHOTOMETRIC PERFORMANCE

LED Board Watts	Drive Current (mA)	Input Watts	Optics	Amber LEDs				
				Lumens	LPW	B	U	G
AmberLED 37w	525	40	Type V	1,279	32	1	1	0

PROJECTED LUMEN MAINTENANCE

Data shown for Amber LEDs	Compare to MH					
	Input Watts	Initial	25,000 Hrs	50,000 Hrs	100,000 Hrs	Calculated L70@ 25°C
TM-21-11						
L70 Lumen Maintenance @ 25°C / 77°F	40	1.00	0.96	0.93	0.86	213,000
TM-21-11						
L70 Lumen Maintenance @ 50°C / 122°F	40	1.00	0.93	0.87	0.73	113,000
TM-21-11						
L80 Lumen Maintenance @ 40°C / 104°F	40	1.00	0.95	0.89	0.78	91,000

NOTES:
 1. Projected per IESNA TM-21-11. Data references the extrapolated performance projections for the 525mA base model in a 25°C ambient, based on 10,000 hours of LED testing per IESNA LM-80-08.
 2. Compare to MH box indicates suggested Light Loss Factor (LLF) to be used when comparing to Metal Halide (MH) systems.