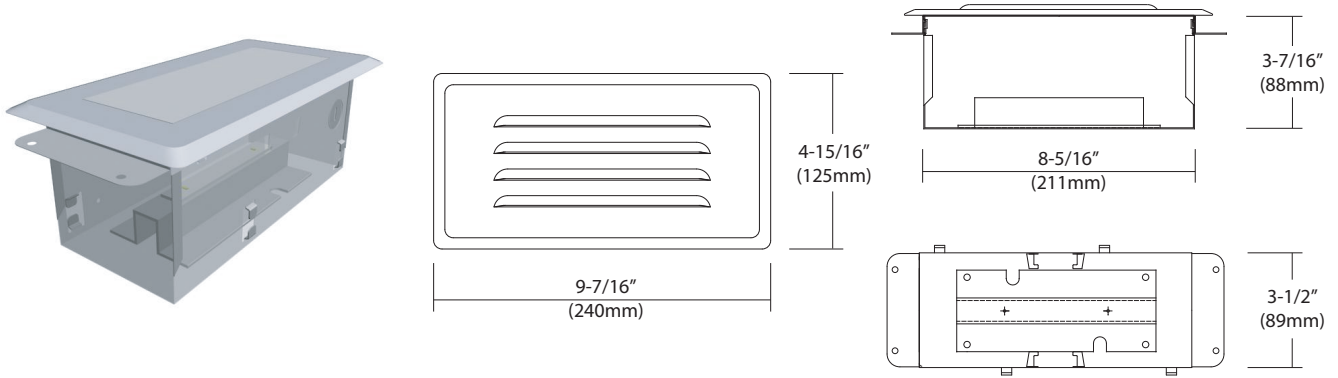


SH-LED8

LED Interior Step Light



LED



DESCRIPTION

The SH-LED8 is designed with LED lamp permanently installed in the fixture for easier, economical maintenance as of long lasting life of LED lamp.

DESIGN FEATURES

Illumination

- Illumination is accomplished with long lasting, high out-put Light Emitting Diodes (LEDs).

Housing & Trims

- Cast aluminum housing and trim painted in weather proof white & black or silver.

Electronics

- 120V AC input for operation of 1W X 4 LED chips (4W Max.)

Input Power Requirements

- AC only - Input 120V.

Code Compliance

- UL wet location listing on select units only.

Warranty

- 50,000hr of lamp life.

Listing cCSA-us Certificated

TRIM



Louvered face plate

ST-842-WH
ST-842-BK
ST-842-SI



Open face plate

ST-843-WH
ST-843-BK
ST-843-SI

ORDERING INFORMATION

Cat.#	Trims	Finish	Option
SH-LED8	- ST-842 : Louvered - ST-843 : Open	-WH: white -BK: black -S I: Silver	- HB : 24" Hanger Bars

Example : SH-LED8-ST-842-WH